

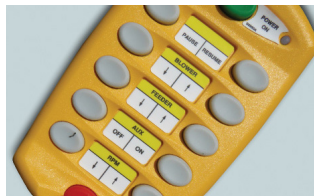
The BTR Blower Trailer

Self-contained power, versatility, from 45 to 90 yards.



Equipped With A State-of-the-Art IQAN Control System

Easily obtain information about operations and diagnostics from the control screen. Fine-tune adjustments for maximum productivity.



Remotely Operate The BTR From Arms Reach

Fully-functional remote control operates the entire system, enabling a single-person operation. Pause and resume with a push of a button!



Precise Material Metering

Peterson's high capacity walking floor moves material to the front of the truck where our innovative auger and tines design prevents bridging and has smooth, consistent feeding for even product distribution.



Interior Mounted Storage Reel For Easy Handling

Accessible through a conveniently located access hatch, the interior mounted storage reel makes for easy set-up and service.

With a Peterson BTR Blower Trailer, you can tackle an even wider range of projects, gain productivity, and boost your profitability.

The BTR series features the same high capacity delivery system as our popular blower trucks, but with more advantages from a self-contained power unit:

- Gain more available system power through a directly linked engine and blower
- Cut operational costs over a dedicated truck by moving the BTR with a tractor.

The feed system is designed to yield several advantages:

- Our front-of-hopper feed loading system has both top and rear door access, eliminating the need for a larger, more expensive loader. In addition, the unit can operate while simultaneously being loaded, or even when the trailer is being moved.
- A high-capacity tri-lobe blower provides increased airflow and production, and larger diameter hoses provide added protection against clogging, enabling you to deliver a wider range of materials each day.
- The BTR provides easy change-over for either left or right side material discharge—a crucial

function on many jobs, such as for roadway improvements.

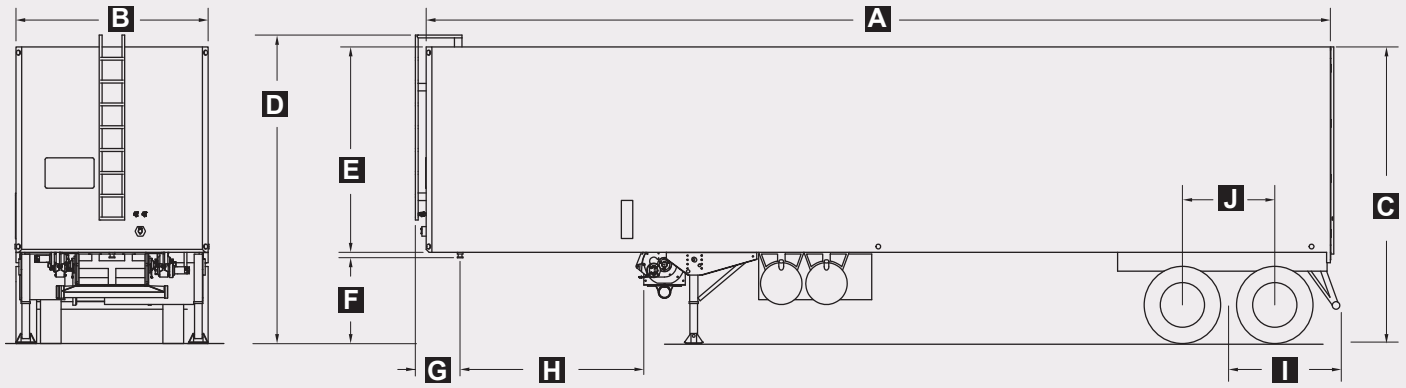
These benefits plus the BTR's light weight aluminum construction, which yields increased payload capacity, make the BTR a smart investment for your landscape business.

Since 1981, Peterson has specialized in the developing of delivery and processing equipment that turns low-grade organic materials into high value products.



Peterson
an Astec Industries Co.

BTR 45, 70, and 90 Dimensions



BTR 45, 70, and 90 Specifications

Dimensions

A Length	BTR45 30' (914 cm), BTR70 40' (1219 cm), BTR90 48' (1463 cm)
B Width	Standard 8' -6" (259 cm), Optional 8' (244 cm)
C Height	13' (396 cm)
D Height to Rail	13' 6" (411 cm)
E	9' (274 cm)
F 5th Wheel Height	4' (122 cm)
G Front to 5th Wheel	18" (46 cm)
H	97 1/2" (248 cm)
I	54" (137 cm)
J Axle Spacing	49" (124 cm)

Weight (Empty, with Fluids and Typical Options)

BTR45	25,600 lbs (11 612 kg)
BTR70	27,000 lbs (12 247 kg)
BTR90	28,000 lbs (12 701 kg)

GCVW

BTR45-2 axle	70,000 lbs (31 751 kg)	BTR45-2 axle	23,300 lbs (10 569 kg)
BTR70-2 axle	75,000 lbs (34 019 kg)	BTR70-2 axle	30,800 lbs (13 971 kg)
BTR70-3 axle	82,300 lbs (37 331 kg)	BTR70-3 axle	37,000 lbs (16 783 kg)
BTR90-2 axle	77,700 lbs (35 244 kg)	BTR90-2 axle	32,800 lbs (14 878 kg)
BTR90-3 axle	86,000 lbs (39 009 kg)	BTR90-3 axle	40,000 lbs (18 144 kg)

Estimated Payload

Axle/Suspension

Standard Suspension	Air Ride/Fixed/Tandem
Optional Suspensions	Air Ride/Fixed/Tridem, Air Ride/Slider/Tandem or Tridem
Axle Limit	25,000 lbs (11 340 kg) each
Wheels	22.5 x 8.25 Polished Aluminum
Tires	11R22.5

Power

Engine	Caterpillar C-7.1 Tier IV Final
Horsepower	225 HP @ 2100 RPM
Fuel Tank Capacity	150 gal (568 L)
Hydraulic Tank Capacity	85 gal (322 L)

Blower System

2100 CFM (987 dm³/s) @ 2700 Blower RPM
 Up to 15 psi (1.05 bars) Continuous Blowing Pressure
 Large Capacity Intake Filter/Silencer
 Large Capacity Discharge Silencer

Controls

Peterson Adaptive Control System
 Multi-function Radio Remote Control

Output*

Up to 28,000 lbs (12 700 kg) per hour Up to 60 yds³ (46 m³) per hour
 Able to Deliver Materials Weighing up to 2100 lbs/yd³ (1245 kg/m³)
 Standard Discharge Hose Length 320 feet (98 m)
 Standard Discharge Hose Diameter 5" (127 mm)
 Optional Discharge Hose Diameter 4" (100 mm) or 6" (152 mm)
 Noise Level with Discharge Silencer 87 db at 23 feet (7 m)

*Actual results may vary due to product and terrain variables

Safety Features

Emergency Shut Down (configuration varies per model), High Oil Temperature and Low Oil Shut Down, Traffic Safety Kit, Lock-out Access to the Feeder from the Front of the Trailer, Enclosed Engine and Blower Compartment, ABS Trailer Brakes

Standard Features

Aluminum Box Construction with Steel Substructures, Hallco 4000 Series TopSeal™ 2-way Live Floor®, Manual Side Rollover Shur-Loc™ Tarp, Powered Blower Hose Reel Enclosed in Front of Trailer, Air Scale for Rear Air Suspension, Viewing Windows at the Front and Rear of Material Hopper, Access Ladder at Front of Trailer, Right or Left Feeder Discharge, 60" (152 cm) Tool Box

Options**

Dual Drive Feeder System, Dust Suppression System includes 300 gallon (1136 L) (290 gallon (1098 L) on 8' wide trailer) Water Tank, Hose Reel, and Pump, Extra 60" (152 cm) or 48", (122 cm), Tool Boxes, One or two Supplemental Injection Systems for Grass Seed, Fertilizer, and/or Microblend™, Custom Graphic Package, Front and Rear Mounted Strobe Light for Roadside Work

**Some options not available in combination due to space constraints

Specifications subject to change without notice.



PETERSON an Astec Industries Company

PO Box 40490 • Eugene, OR 97404 • Tel 800.269.6520 Fax 541.689.0804 • www.petersoncorp.com

